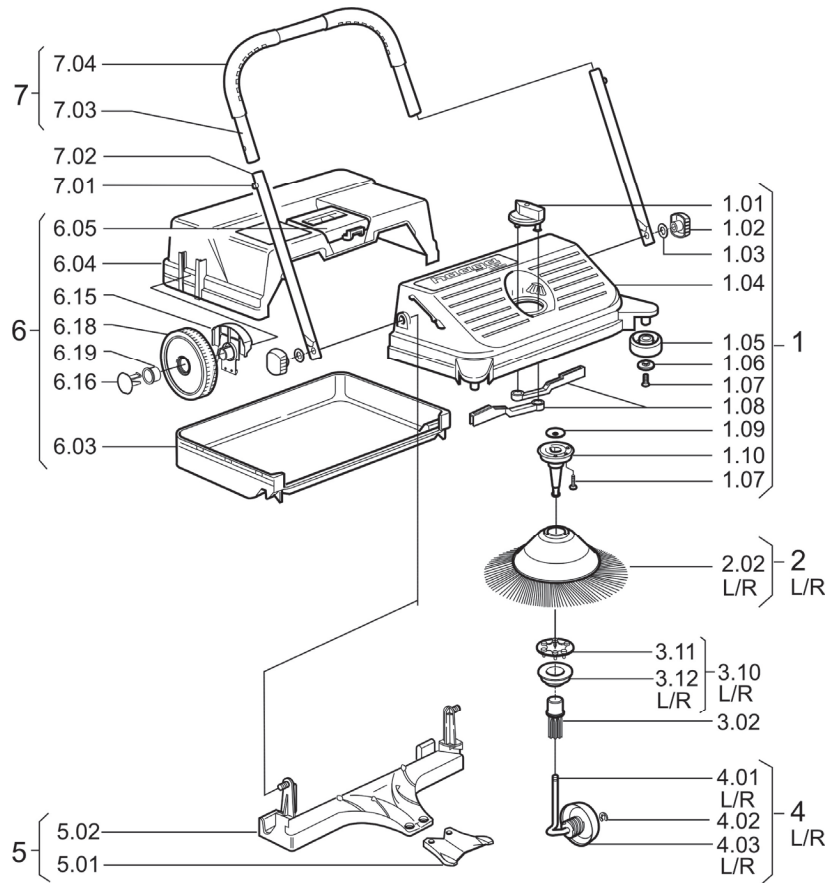


Bedienungsanleitung

haaga 255



Dear Customers,

Thank you for choosing one of our efficient and maintenance-friendly sweeping systems. This machine is especially designed for even, hard floors. Thanks to the flat circular brooms, all kind of street dirt, for example cigarette packets and cigarette-stubs, disposable and kerchiefs, fine gravel, sand, wood pieces as well as wet leaves will be whisked in. Along edges the "Haaga 255" will be led by lateral guide rollers (1.05).

Assembly

Remove sliding handle parts (7.02) from the box. Connect the U-tube with the two connecting tubes. The stop springs (7.01) must be engaged in the provided boreholes in the handle (7.03). Affix the mounted handle with the attachment screws (1.02) on the right and on the left side of the front part of the machine. Now you can sweep with normal walking speed. The circular brooms sweep in front of the machine.

Adjustment

The adjusting knob (1.01) for the circular brooms is arranged in the middle of the front part of the machine.

- Steps 1 – 2: new brooms, for all even, hard floors (e.g. asphalt, concrete, floor tiles.....)
- Steps 3 – 4: new brooms, for wet leaves, sand, uneven floors (e.g. exposed aggregate concrete tiles).
- Steps 5 – 8: older brooms, for readjusting the level of wear.

We recommend shifting the knob only one step at a time. Do not press the circular brooms too heavily upon the ground in order to avoid a rapid wear and tear of the drive. While sweeping, the carrying capacity of the waste container can be increased by lifting the front of the sweeping machine so that the waste is moved to the back the container. When sweeping fine dust, it may happen that a small trace of dust remains in the middle of the sweeping machine. In this case, sweep the outside of this track together with the next section to be swept. In this way, the sweeping surface will be cleaned uniformly and thoroughly.

Emptying the waste container

Slightly incline the sliding handle forward. Pull the container handle (6.05) upward and remove the waste container. When inserting the container, incline the sliding handle forward and arrest the container at the front part by means of the container handle.

Storage

Hang up the sweeping machine with the handle so as to save space or store it on the back side of the container.

Maintenance

You have decided in favour of a maintenance-free product. The circular brooms as well as the drive can be cleaned with water and a cloth. Never submerge the complete machine under water. Spooled cords, threads etc. must be removed.

NEVER LUBRICATE THE DRIVE !

With the original silicone lubricant from Haaga an easy motion and a long service life of the machines is ensured.

Minor repairs

Minor repairs can be carried out by yourself without any problems.

Replace the inclined wheels (4)

First, set the adjusting knob (1.01) to step 8. Pull the inclined wheel (4) strongly and remove it with the shaft from the journal. Insert the new inclined wheel with shaft up to the limit stop and engage it with a slight knock.

Note: Do not exchange the inclined springs to prevent a wrong turning direction of the disc brushes. (Pay attention to the correct coordination: R=right and L=left !)

Replace circular brooms (2) and toothed sleeve (3)

First, pull out the inclined wheel (4) as already described. Then, force out the circular brooms (2) together with the toothed sleeve (3) from the journal.

Note: At the inside of the front part and of the inclined wheels you will find markings for L and R. The circular brooms are marked on the inside with L/// and R\\\. This marking indicates the direction of the brushes. During the assembly make sure that the coordination is correct. The assembly is carried out in inverse order: insert the toothed sleeve (3) into the circular brooms and press it on the journal. Then, engage the inclined wheel with shaft – and you are ready!

The machine runs unsteadily, the circular brooms do not turn

The friction ring (3.11) on the toothed sleeve (3) transfers the driving power. In order to improve its efficiency and to lengthen its service life it can be washed from time to time. Remove the toothed sleeve (3) as described above and wash it (do not use any oily substances) and make sure that the clutch element is positioned correctly.

The machine runs heavily

1. Check the sweeping pressure adjustment and readjust it, if necessary.
2. Clean the unit, remove spooled cords, threads etc. We recommend to lubricate the gear parts with the special Haaga lubricant after an operation period of approx. 10h.
3. Make sure that the sense of rotation of the circular brooms (after repair) is correct.

Guarantee

4 year warranty on the circular brooms
2 year warranty on all other parts

In the case of raising a claim, please enclose a copy of the invoice

We reserve the right to technical modifications and price changes.

Electrostar GmbH
Hans – Zinser - Str. 1-3
D-73061 Ebersbach/Fils
Tel.: +49 (0)7163 / 9988-100
info@starmix.de
www.starmix.de

Fachhändler